



司騰達股份有限公司
BHP Industry Solution



EtherNet/IP

CC-Link



CANopen



Now with ...
CPC UA



DeviceNet



司騰達股份有限公司

i4

High-performance i4SCADA Web 中央監控解決方案

司騰達公司致力於推廣數位化工廠和 IIoT 工業物聯網的解決方案，並與歐洲最先進的公司 – HMS 集團合作，同時透過引進更多歐美的技術能量，提供客戶關於工業 4.0 的顧問諮詢服務，並將教育與產業連結，協助台灣產業逐步完成從現場設備、生產資訊、通訊 IoT 的垂直整合，並整合 M2M 工業總線與軟體開發，從而實現數位化工廠與自動化機械領域的創新。

LINE



官網



司騰達聯絡訊息

台北客服專線：(02)-2242-1625

台中客服專線：(04)-2451-0611

客服信箱：sales@bhp.com.tw

Line ID：@bhp.tw

www.bhp.com.tw

High-performance Fanless Industrial IPC CODESYS SoftPLC System with 12th Gen Intel® Core™ i5 CPU



Features

- i4SCADA and CODESYS Real time SoftPLC Ready
- Fanless embedded system
- Intelligent power management Ignition, USB power on/off control
- Wall mount kits , Optional DIN-rail 15mm.
- RAID 1 Option Function

IPC Interface

1. 1 x HDD/SSD access LED & 3 x user's LED
2. Switch for power on/off w/LED
3. 2 x RJ-45 2.5GbE LAN (Intel® I226-V)
4. 1 x RJ-45 1GbE LAN (Intel® I219-LM)
5. 1 x HDMI, 1 x DP++
6. 4 x USB3.2
7. 3-pin Terminal block for DC input
8. 2 x HDD/SSD tray
9. 1 x Remote power switch
10. Flexible I/O window
11. 2 x RS-232/422/485

Support Protocol

CODESYS Support industry fieldbus

- EtherCAT ,PROFINET ,EtherNet/IP ,Modbus RTU master/ TCP client
- OPC UA server , Modbus TCP server
- Option CANOpen,CAN Coming Soon



i4SCADA Support protocol

- SIEMENS S7 PLC,OPCUA ,Modbus TCP&RTU
- BACnet/IP , SNMP

Specifications

Standard Color	Silver & black	
Construction	Aluminum extrusion heavy-duty cold-rolled steel	
Processor System	CPU Level	12th gen Intel® Core™ i5-12500E (6 Core) 2.9 GHz Base Frequency
	Chipset	Intel® R680E
Main memory	DDR5 16GB RAM	
System I/O	Ethernet	2 x RJ-45 2.5GbE LAN (Intel® I226-V) 1 x RJ-45 1GbE LAN (Intel® I219-LM)
	Serial	2 x RS-232 (4-wire)/422/485 (default RS-232), DB9 (By BIOS Selection)
	USB	4 x USB 3.2 1 x USB 2.0 (USB slot inside for USB Dongle license key application)
	Display	1 x DisplayPort++ with 4096 x 2160 resolution supported 1 x HDMI with 4096 x 2160 resolution supported

Specifications

TPM	TPM 2.0
Expansion Interface	2 x Full-size Mini PCI Express Card slot
Storage	1T x 2.5 SSD (RAID 1 Option Function)
OS	Windows 10 64bit
System Indicators	1 x HDD/SSD access LED 3 x User's LED
Power Input and Ignition Control	Input: 18VDC-36VDC 1 x 3-pin terminal block for DC input, ignition control, AT/ATX mode by BIOS setting 1 x Switch w/LED for power on/off control (default ATX) 1 x Remote power switch
Operating Temperature	0°C to 50°C
Storage Temperature	-20°C to +80°C
Humidity	10% to 90%, non-condensing
Dimensions	83.5 mm (W) x 192 mm (H) x 230 mm (D) without wall-mount bracket
Certifications	CE , FCC

Ordering Information

i4SCADA Visualization add on CODESYS SoftPLC Platform

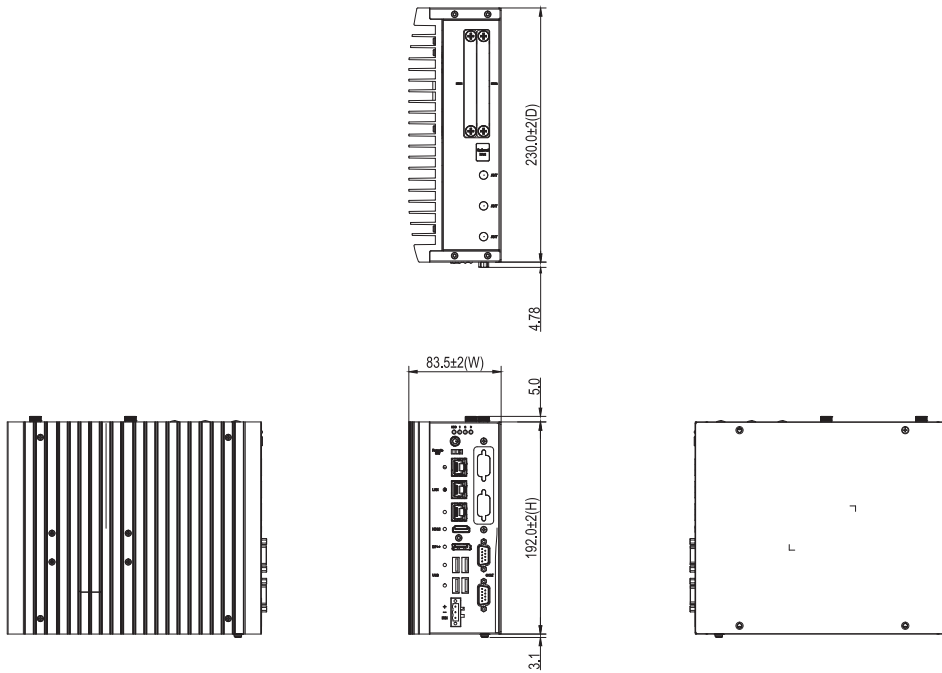
i4-CDSRT-000100-BHP	[授權敘述: i4SCADA 100% Web SCADA For 100Tag + CODESYS Control RTE SoftPLC]
i4-CDSRT-000250-BHP	[授權敘述: i4SCADA 100% Web SCADA For 250Tag + CODESYS Control RTE SoftPLC]
i4-CDSRT-000500-BHP	[授權敘述: i4SCADA 100% Web SCADA For 500Tag + CODESYS Control RTE SoftPLC]
i4-CDSRT-001000-BHP	[授權敘述: i4SCADA 100% Web SCADA For 1000Tag + CODESYS Control RTE SoftPLC]
i4-CDSRT-004000-BHP	[授權敘述: i4SCADA 100% Web SCADA For 4000Tag + CODESYS Control RTE SoftPLC]

i4SCADA Visualization Platform

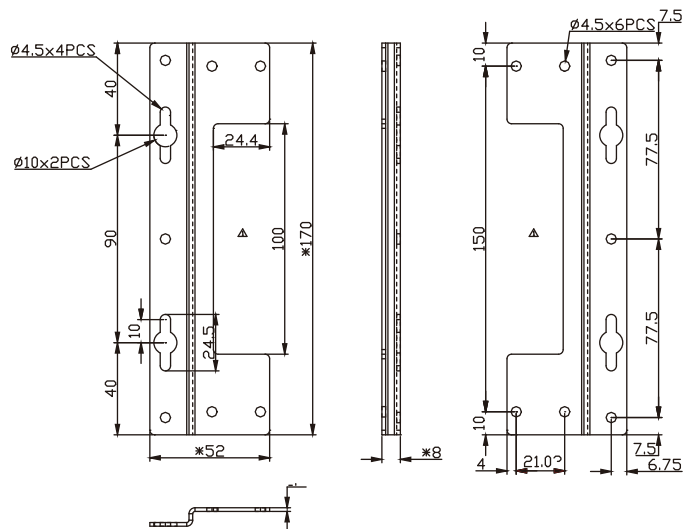
i4-000100-BHP	[授權敘述: i4SCADA 100% Web SCADA For 100Tag]
i4-000250-BHP	[授權敘述: i4SCADA 100% Web SCADA For 250Tag]
i4-000500-BHP	[授權敘述: i4SCADA 100% Web SCADA For 500Tag]
i4-001000-BHP	[授權敘述: i4SCADA 100% Web SCADA For 1000Tag]
i4-004000-BHP	[授權敘述: i4SCADA 100% Web SCADA For 4000Tag]

Dimensions

- IPC Dimension

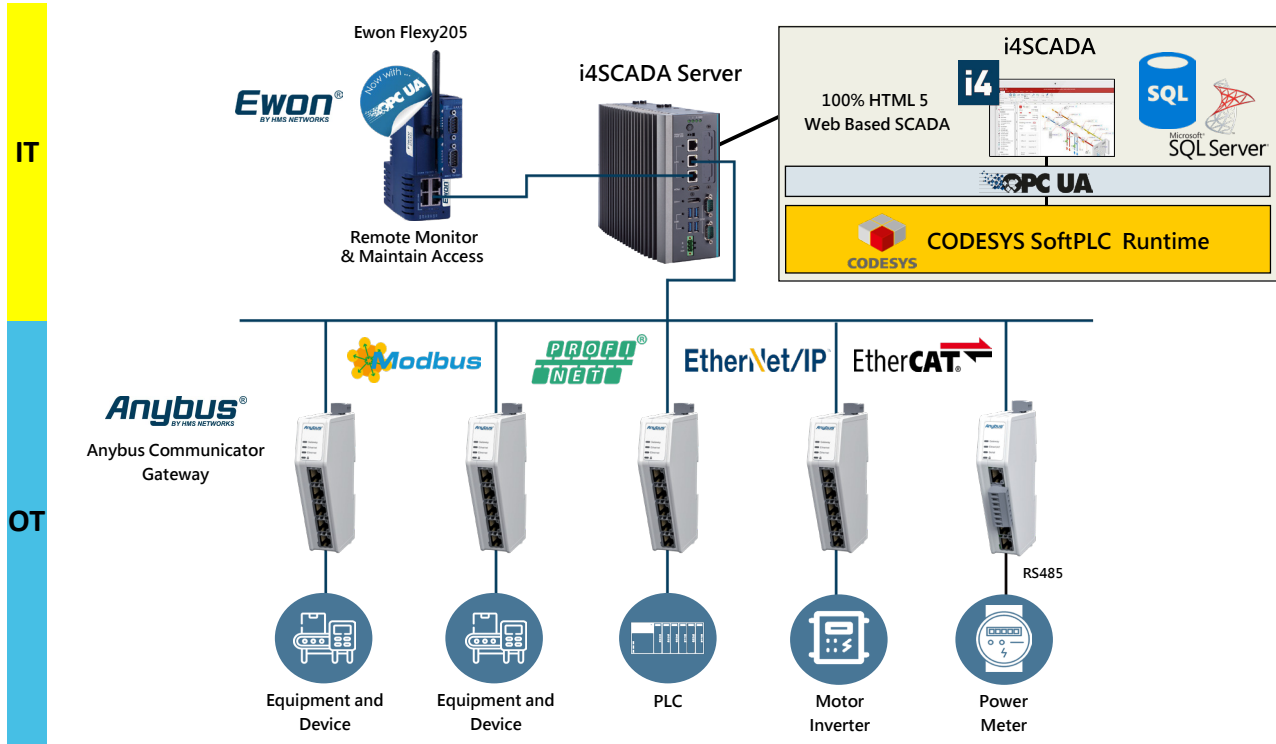


- Component Of Wall-Mount Bracket Dimension

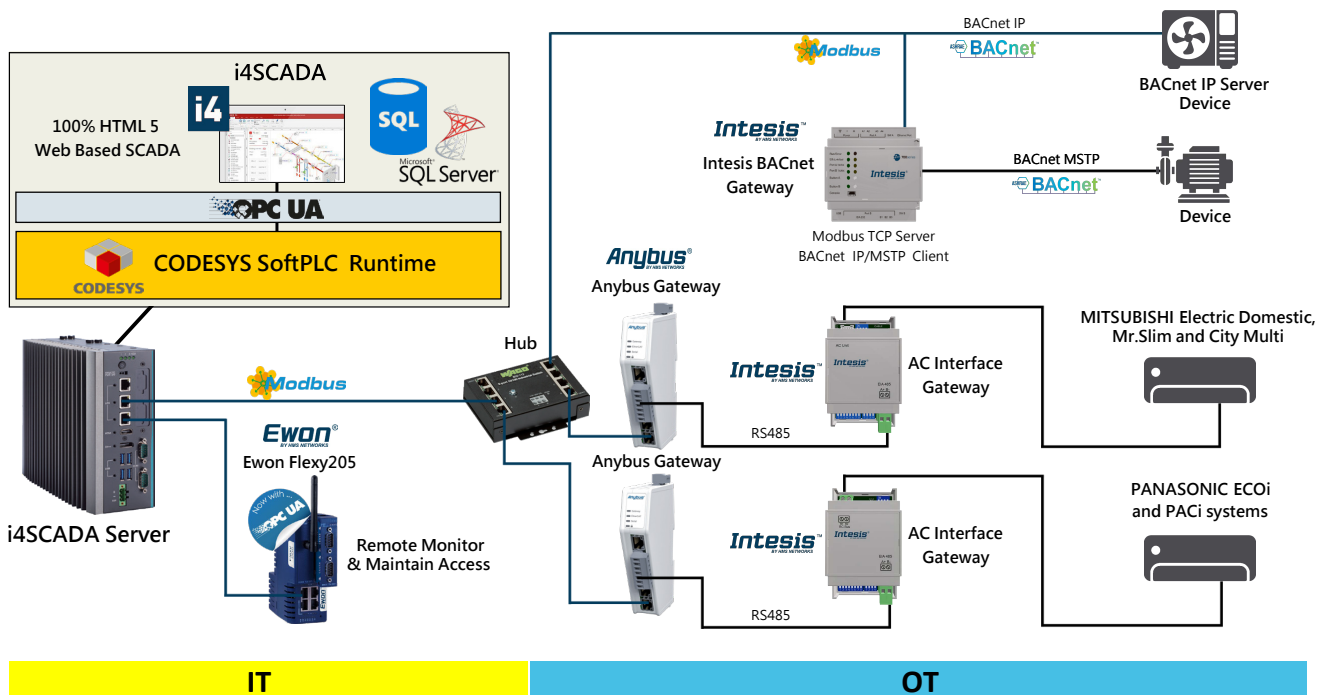


Solution and Application

- SCADA with IoT Application



- SCADA with BMS Solution



司騰達股份有限公司

自動化工業與跨國遠端連線的最佳選擇

Ewon Flexy205

VPN+IOT 物聯網模組

Ewon Cosy131

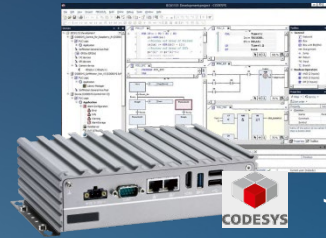
VPN 遠端連線



Anybus X-Gateway



CODESYS SoftPLC



Jmobile HMI/SCADA IPC



工業 4.0 數位工廠與 工業物聯網解決方案

i4-SCADA IPC



WAGO750 Remote IO

EtherCAT / PROFINET



SIEMENS ET 200SP

PROFINET Remote Io



MR JET 系列

EtherCAT 伺服馬達



eSMART Web HMI

Esmart04/07/10

司騰達股份有限公司

台北營業所：235602 新北市中和區中山路 2 段 299 號 5 樓之 1

Tel：(02)-2242-1625 Fax：(02)-2242-1605

台中營業所：40760 台中市西屯區廣福路 186 號

Tel：(04)-2451-0611 Fax：(04)-2451-0612

E-mail：sales@bhp.com.tw

Line ID：@bhp.tw



司騰達股份有限公司
BHP Industry Solution

LINE



官網



了解更多產品詳細資訊請上官網查詢
www.bhp.com.tw